

"EASY STREET" PRINTABLE TEMPLATE

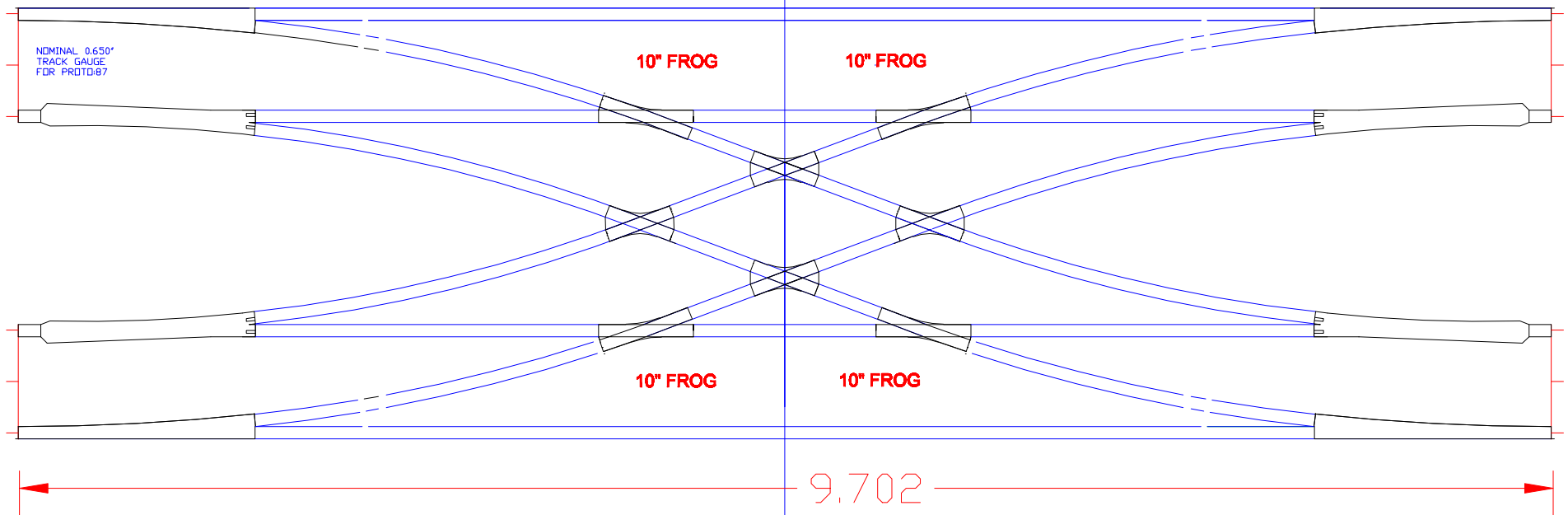
PROTO:87 - LH, RH OR SCISSORS 10" RADIUS CROSSOVERS

OPTIMIZED FOR USE WITH PROTO:87 WHEELSETS ONLY.

DIAGRAMS BASED ON TYPICAL US PROTOTYPICAL AAR DRAWINGS.

USE THE 6" THICK BLACK REFERENCE BAR ABOVE
TO VERIFY THE DIAGRAM IS PRINTED TO SCALE.

ALL CROSSING RAILS BETWEEN TWO FROGS ARE STRAIGHT
ALL CROSSING RAILS BETWEEN THE POINTS AND A FROG ARE 10" RADIUS



www.proto87.com

Copyright Andrew Reichert 1983, 2004, 2008

Provided solely for customer assistance. See associated help sheets for additional instructions

All rights reserved. No whole, part, or derivative reproduction for commercial use, without express written permission.