

"ULTIMATE" TURNOUT AND TIE PLATE LAYOUT GUIDANCE SHEET

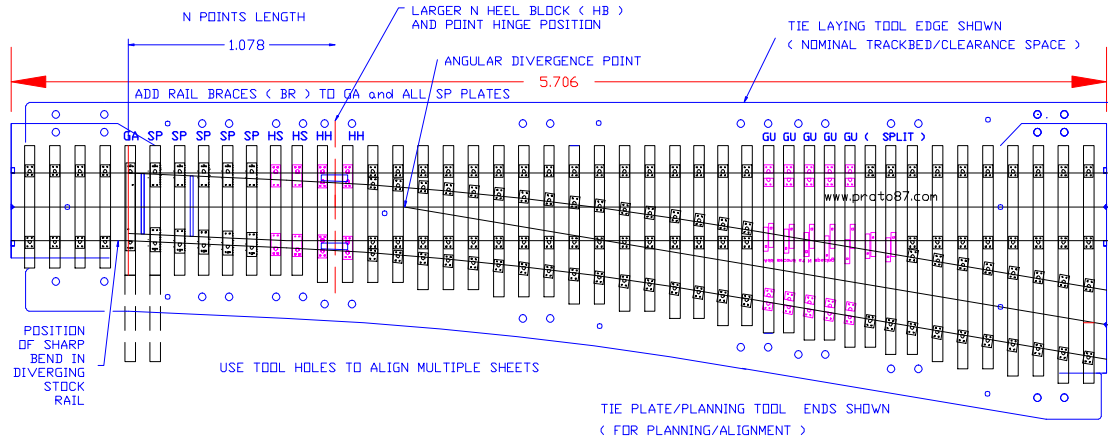
NMRA N PROTOTYPICAL US # 6 TURNOUT based on Authentic AAR DwgS

SCALE SPIKE HOLES SHOWN FOR NOMINAL CODE 40 BASE RAIL

USE THE 4" THICK BLACK REFERENCE BAR ABOVE TO VERIFY THE DIAGRAM IS PRINTED TO SCALE.

HEEL BLOCK AND JOINT BAR MAY BE USED TO FORM SCALE POINT HINGE SLOT

ALIGN PRE-FORMED FRDG VEE POINT TO VEE INTERSECTION. F PLATES SHOWN IN N POSITION FOR BENT RAIL FRDG. ADJUST TO RAIL ENDS FOR FINAL FIT



Copyright Andrew Reichert 2003, 2005, 2008

Provided solely for customer assistance. See associated help sheets for additional instructions

All rights reserved. No whole, part, or derivative reproduction for commercial use, without express written permission.